

Limit switch box

Model : ALS-20

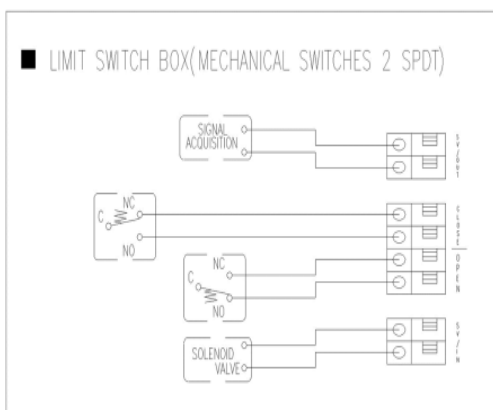
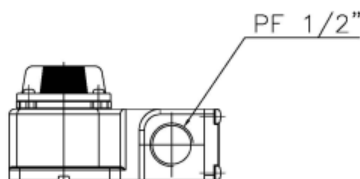
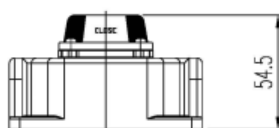
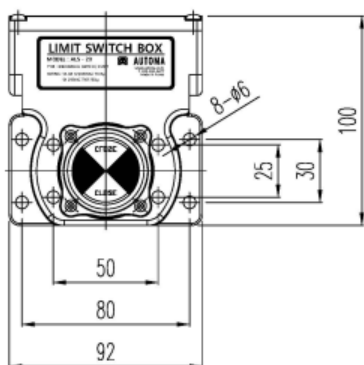


SPECIFICATION

- Enclosure : Weather Proof
- Ambient temperature : -20°C~80°C
- Cable entries : 2 x PF 1/2"
- Position indicator : CLOSED : RED / OPEN : YELLOW
- Switches : Mechanical switch x 2
- Voltage : AC 250V 3A / 125V 5A

MATERIAL

- Housing cover & body : ABS
- Shaft : Stainless steel
- Indicator cover : Polycarbonate
- Indicator : ABS/Polycarbonate
- Cam : P.O.M
- Housing cover bolt : Stainless steel
- O-ring : NBR



WIRING DIAGRAM

Contact us for more information.